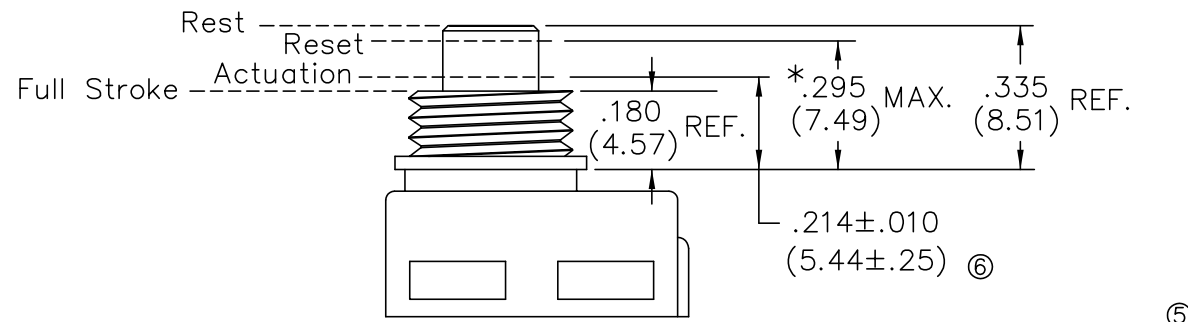
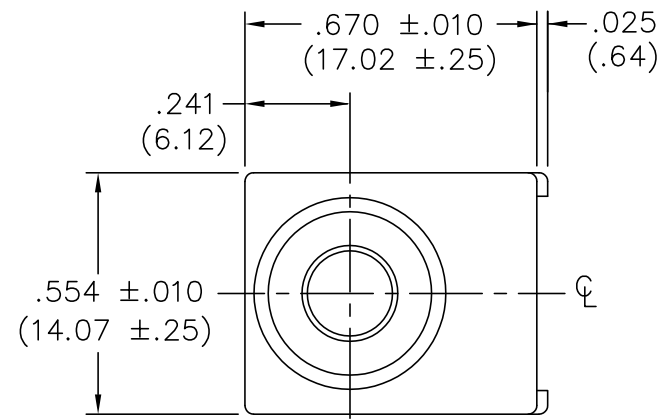


DIMENSIONS IN INCHES (MILLIMETERS)
DO NOT SCALE DRAWING

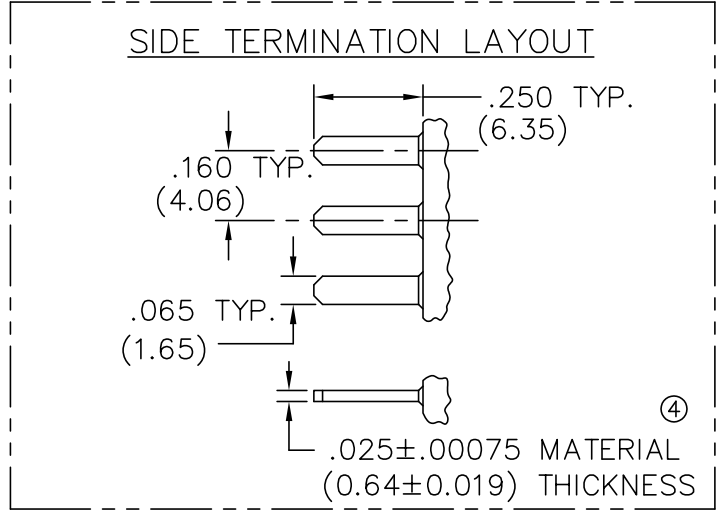
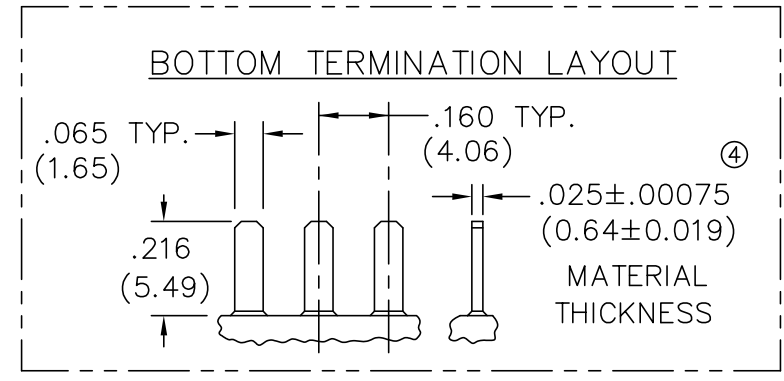
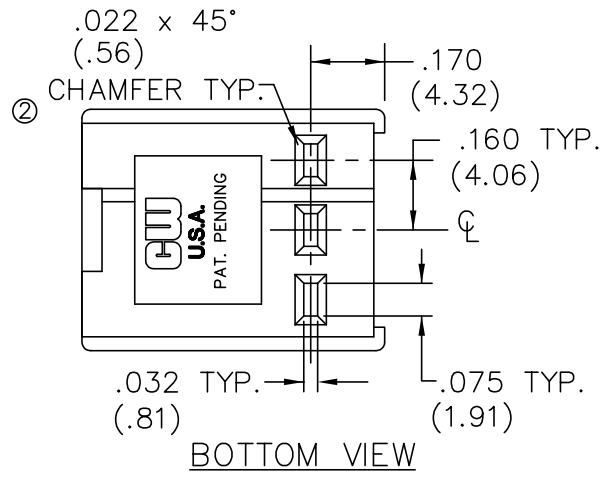
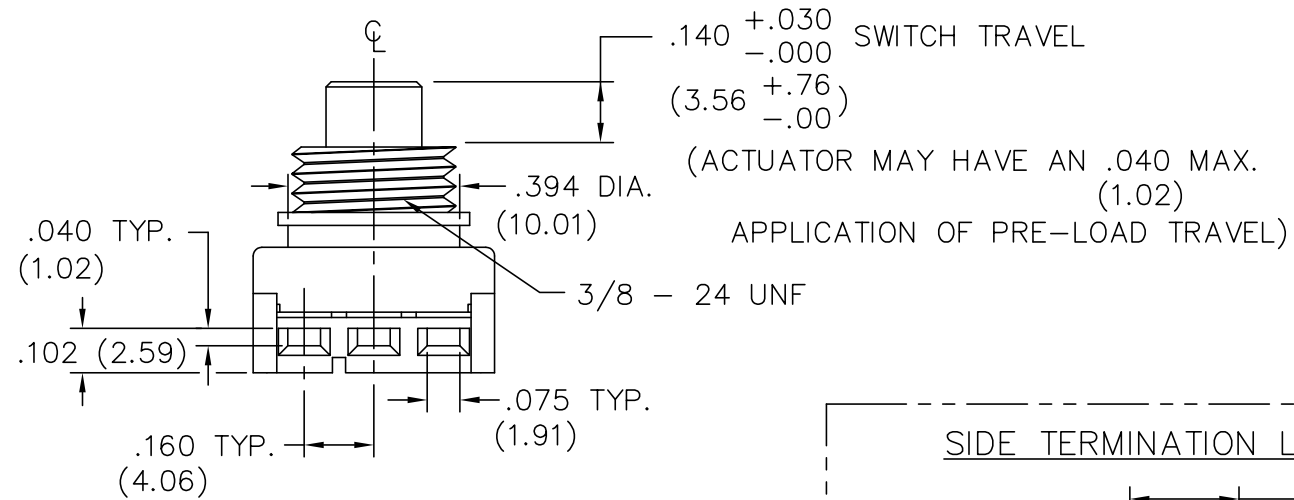
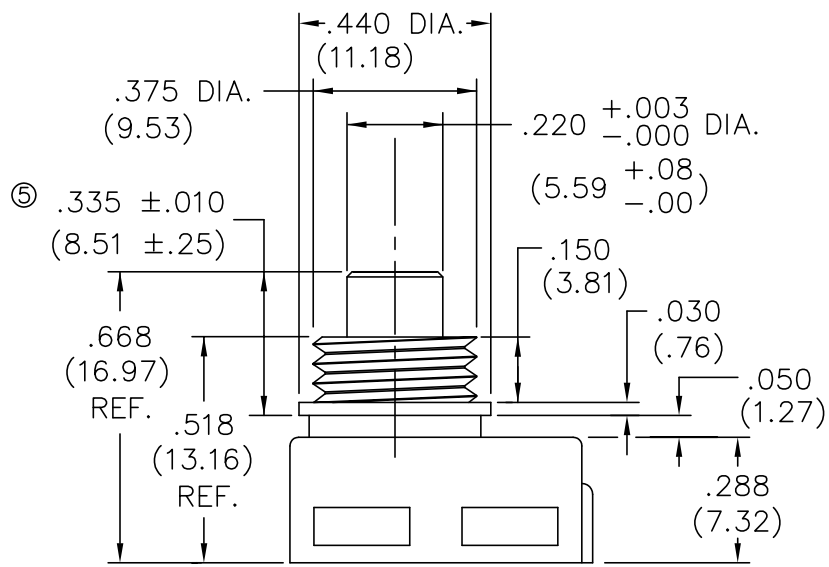
Dwg. No.
GC-536-0002

E
D
C
B
A



SWITCH TRAVEL SPECIFICATIONS

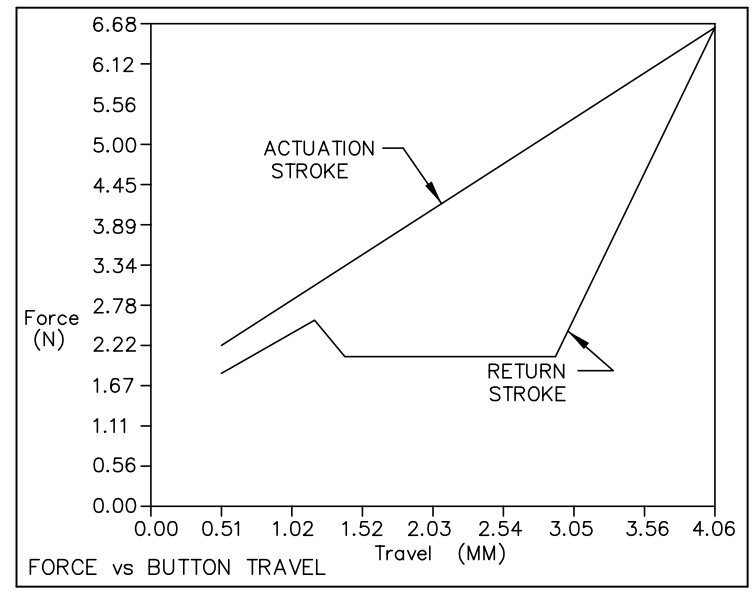
* Mating Part can Pre-Load Actuator down to .295 (7.49) Max..



SPECIFICATIONS:

MATERIALS:

- HOUSING & BASE - Nylon and or Glass Filled Nylon 6/6 UL 94-V2 minimum
- ACTUATOR - Nylon 6/6 UL 94-V2 minimum
- MOVING CONTACT - Copper Alloy/Phos. Bronze Silver Plated
- STATIONARY CONTACT - BeCu 174 Alloy/75 μin. Silver Plated
- ELECTRICAL RATING - 1A. 125V.A.C. 3A. 14V.D.C.
- MECHANICAL PERFORMANCE - 30,000 Cycles minimum at Rated Load.
- OPERATING FORCE - 20 - 31ozs., 5.6 - 8.6 Newtons, Spec. as Tested
- VOLTAGE DROP - .030V. MAX @ .7A
- TERMINATION - Insert male tabs into switch housing using side or bottom termination option. Refer to termination option layout for dimensions."



1 2 3 4 5 6 7 8 9 10

FORM-B3	REVISIONS	1	2	3	4	5	6
RELEASED. DGW 4-07-98 CH 4-08-98	0	.375 DIA. WAS .365 DIA. & 3/8 24 UNF WAS 24 UNC & NEW ACTUATOR NOTE. DGW 8-11-98 CH 9-15-98	REDRAWN. ADDED METRIC DIM.'S & .022 x 45° TO DRAWING. UPDATED OPERATING FORCE. DGW 4-05-2002 GG	ADDED FORCE vs BUTTON TRAVEL CHART. DGW 6-19-2003 CH 6-19-03	ADDED ±.00075 TOL. TO .025 IN SIDE & BOT. LAYOUTS. DGW 8-05-2003 CH 8-10-03	REDRAWN. ADDED SWITCH TRAVEL SPEC.'S. ADDED .335±.010 TO FRONT VIEW. REMOVED .150 +.020 FROM - .010 SIDE VIEW. DGW 8-26-2003 CH 8-26-03	.214±.010 WAS .212±.008 IN TRAVEL SPEC.'S. DGW 2-08-2005 CH FEB. 22, 2005

PDF File MADE	CW INDUSTRIES Southampton, Pa. 18966		Title: SWITCH ASSEMBLY PUSH ON-PUSH OFF S.P.D.T.	
	TOLERANCES UNLESS OTHERWISE SPECIFIED		METRIC	
	2 Place Decimal ±.010	3 Place Decimal ±.005	1 Place Dec. ±.25mm	2 Place Dec. ±.13mm
	Angles ±1°			
Made for:	CW IND.		Division: SWITCH	
Drawn by:	DGW 4-07-98		Dwg. No. GC-536-0002	
Checked by:	GG 8-28-03			
Approval:	CH 8-28-03			